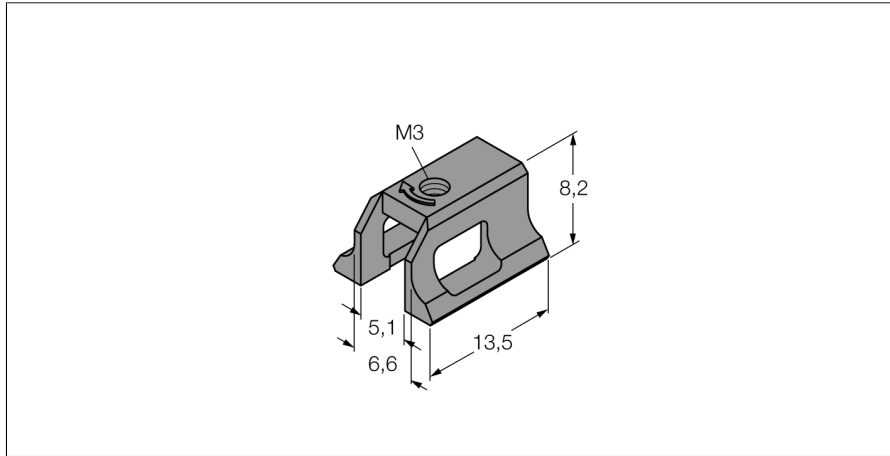


**Mounting accessories  
for dovetail groove cylinders  
KLDT-UNT8**



**Mounting on profile cylinders with  
dovetail groove**

**Optimized for Origa cylinder**

**Inserted in the groove from the top**

**Plastic: Polyphenylene sulfide (PPS)**

**General description**

The sensor programme comprises inductive, magnetic-inductive, capacitive, photoelectric and ultrasonic sensors as well as pressure and flow controls.

A broad range of practice-oriented accessories ensure optimal adaption to your system.

<b>Type code</b>	KLDT-UNT8
Ident-No.	6913360
<b>Design</b>	accessories for rectangular types
Dimensions	13.5 x 6 x 8.2 mm
Housing material	plastic
Fixing clamp for correspondent cylinder diameter	alle mm